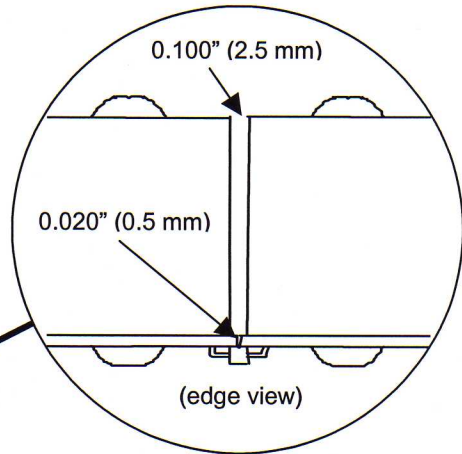


TorqueTrak Revolution Installation Guide

Tools Required: Digital multimeter, solder and soldering iron, 5/8" and 11/16" socket wrenches, 5/32" hex wrench, and wire strippers

CAUTION: For successful operation there should be no metal (other than the shaft) within 4" (10 cm) of the Power Ring



- Step 1:**
Install Strain Gage Sensor
- Glue gage to shaft at least 1 inch (25 mm) from the Rotating Collar per manufacturers instructions.
 - Do not attach Revolution lead wires to strain gage at this time.

- Step 2:**
Secure Rotating Collar to Shaft
- Assemble the Collar on the shaft near the gage with lead wires toward the gage.
 - Secure the Collar with bolts provided after applying antiseize compound to the threads.
 - Tighten alternate bolts evenly until gap between the halves is as shown above.
 - Solder the terminal strips to the solder pads on the coil boards.

- Step 3:**
Mount Master Control Unit
- Mount Master Control Unit (MCU) to a mounting bracket so that the Power Ring is centered on the Rotating Collar.
 - Remove the MCU cover.
 - Connect power supply to Power Input connector (green) and connect to the mating terminal inside MCU.

- Step 4:**
Install Stationary Power Ring
- Assemble the Power Ring to the Master Control Unit with screws provided.
 - Verify that the Power Ring is aligned with the Collar before proceeding. Adjust the Collar or MCU position if necessary.

- Step 5:**
Verify System Operation
- Slide the Main Power switch to ON.
 - After 10 seconds, verify that Main System Status light is on solid. (If Main System Status light is flashing, see Troubleshooting Guide on back.)
 - Connect ammeter to Torque Signal Output Terminals (1 & 2) inside MCU.
 - Measure Torque Signal current (mA). Reading should be approximately 12 mA.
 - Slide Remote Shunt switch inside MCU to ON. (Main System Status light will flash.)
 - Measure Torque Signal current (mA). Reading should be approximately 16 mA.
 - Slide Remote Shunt switch inside MCU to OFF. (Main System Status light on solid.)

- Step 6:**
Connect Signal and Gage Wires
- Remove star bridge from lead wires and discard.
 - Solder leads from collar to gage as shown.
 - Connect permanent signal leads to Signal Output connector (black) and connect to the mating terminal inside MCU.

