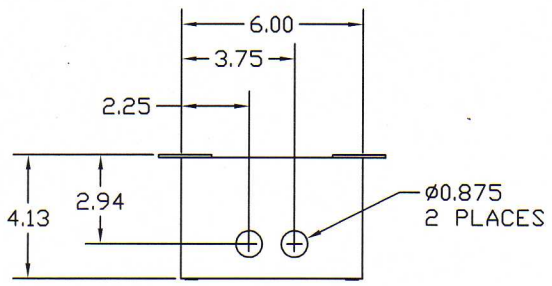


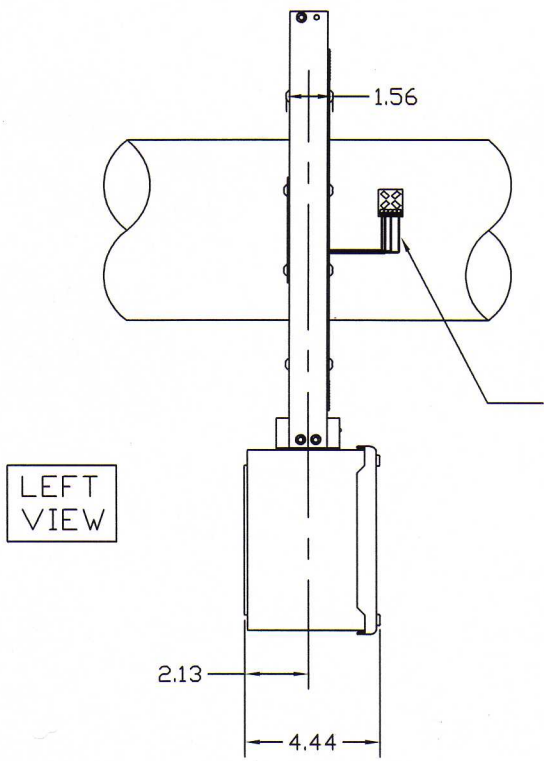
SHAFT DIA.	A	B	C
0-1	3.94	2.94	6.88
1-2	4.44	3.44	7.88
2-4	5.44	4.44	9.88
4-6	6.19	5.19	11.38
6-8	7.19	6.19	13.38
8-10	8.19	7.19	15.38
10-12	9.19	8.19	17.38
12-14	10.19	9.19	19.38
14-16	11.19	10.19	21.38
16-18	12.19	11.19	23.38
18-20	13.19	12.19	25.38
20-22	14.19	13.19	27.38
22-24	15.19	14.19	29.38

-- ALL NUMBERS SHOWN IN INCHES --

MAX BOLT SIZE 0.313"
MAX WASHER SIZE 0.750"



BOTTOM VIEW



LEFT VIEW

CUSTOMER
INSTALLED
STRAIN
GAGE

6-8 INCH SYSTEM
SHOWN IN THIS EXAMPLE

**BINSFELD ENGINEERING INC.
TORQUETRAK REVOLUTION
MOUNTING DIMENSIONS**