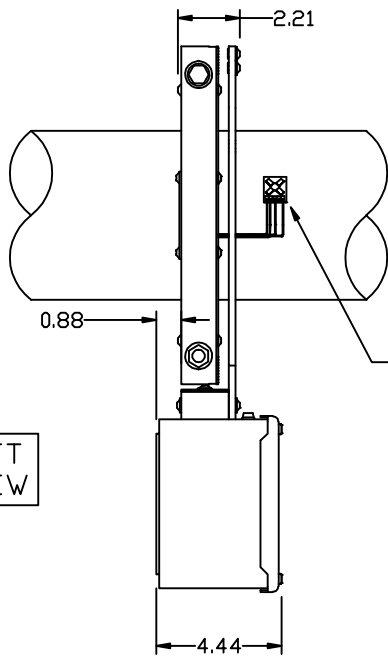


SHAFT DIA.	A	B	C	D	E
0-1	2.75	5.00	5.50	12.88	—
1-2	3.25	5.50	6.50	13.88	—
2-4	4.25	6.50	8.50	15.88	—
4-6	5.00	7.25	10.00	17.38	—
6-8	6.00	8.25	12.00	19.38	7.90
8-10	7.00	9.25	14.00	21.38	8.90
10-12	8.00	10.25	16.00	23.38	9.90
12-14	9.00	11.25	18.00	25.38	10.90

-ALL NUMBERS SHOWN IN INCHES-

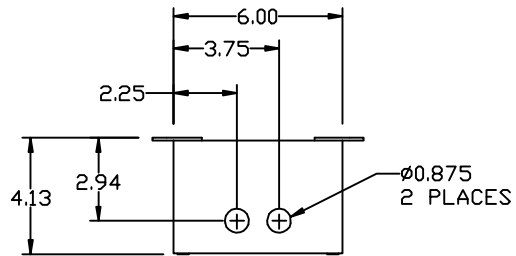
MAX BOLT SIZE 0.313"
MAX WASHER SIZE 0.750"

FRONT VIEW



LEFT VIEW

CUSTOMER
INSTALLED
STRAIN
GAGE



BOTTOM VIEW

**6-8 INCH SYSTEM
SHOWN IN THIS EXAMPLE**

**BINSFELD ENGINEERING INC.
TORQUETRAK REVOLUTION
MOUNTING DIMENSIONS**